

## RIVA 855 ÉGOUTTOIR À DROITE

Kitchen Sinks

Code: N043 F52

RIVA WORKSTATION 1175x520 À FLEUR ÉGOUTTOIR À DROITE



### DETAILS

Edge/Installation Type	Flush-mount   Top-mount
Finish	Foster brushed
Material	AISI 304 stainless steel
Texture	Brushed in line
Base	120 cm
Dimensions	1175x520 mm
Standard fittings	Fixing hooks, gasket, drain, overflow and siphon, boxed packing
Mixer holes	2 standard holes - 3rd hole on request

Built-in hole	<a href="#">View technical data sheet</a>
Drainer	Yes
Width	117 cm
Bowl dimension	855x374mm
Number of bowls	1 bowl
Waste fitting	Drain with automatic control SPACE (PUSH)

## EQUIPMENT

3 x Black grid Milanello 8100  
602  
1 x Space Push  
automatic waste fitting 8407  
116

## FEATURES

Double mixer hole	The large tap counter is already fitted with a series of 2 tap holes. In the second hole it is possible to install the remote control of the automatic drain or, alternatively, a practical soap dispenser.
Diamond-shape bottom	The draining of water is an important feature in a sink, and it's always taken good care of in Foster products. In the bent-welded sinks, which would have a flat bottom, the proper draining is guaranteed by the elegant beveling, which helps the water flow.
High thickness	1mm thick steel. A significant thickness, which guarantees the maximum sturdiness and durability.

## Automatic waste fitting

The waste-fitting with round remote knob is supplied; a practical accessory which makes it unnecessary to get wet in order to drain the water from the bowl.

---

## Space waste fitting

The elegant SPACE steel cap closes the drain and leaves no visible residues collected in the basket below. Space also has a small footprint and allows the optimal use of the under-sink compartment.

---

## 2nd / 3rd hole available

The sink can be customized with the execution on request of additional holes, usable for double-hole mixers, for remote controlled drains or for the installation of soap dispensers. The positions are marked on the drawings with dotted line holes.

---

## Save space system

Drain and siphon are designed to leave as much space as possible in the under-sink area, more and more useful today for theseparate waste collection systems.

---

## Triple recess - sliding accessories

The Foster Milano sink has an ingenious design that makes it simple to use a large set of optional accessories. On the topmost supporting step, the innovative Black grids slide, creating a large and practical surface to rinse food and crockery. The second step is meant to support and allow the sliding of a complete combination of accessories, which make some operations practical and safe: rinse, drain, slice, grate... everything can be done inside the sink. The third supporting step is on the bottom of the bowl. On this step one can rest the Black grids, making it possible to rinse foodstuffs without their coming in contact with the bottom of the sink, which may be dirty.

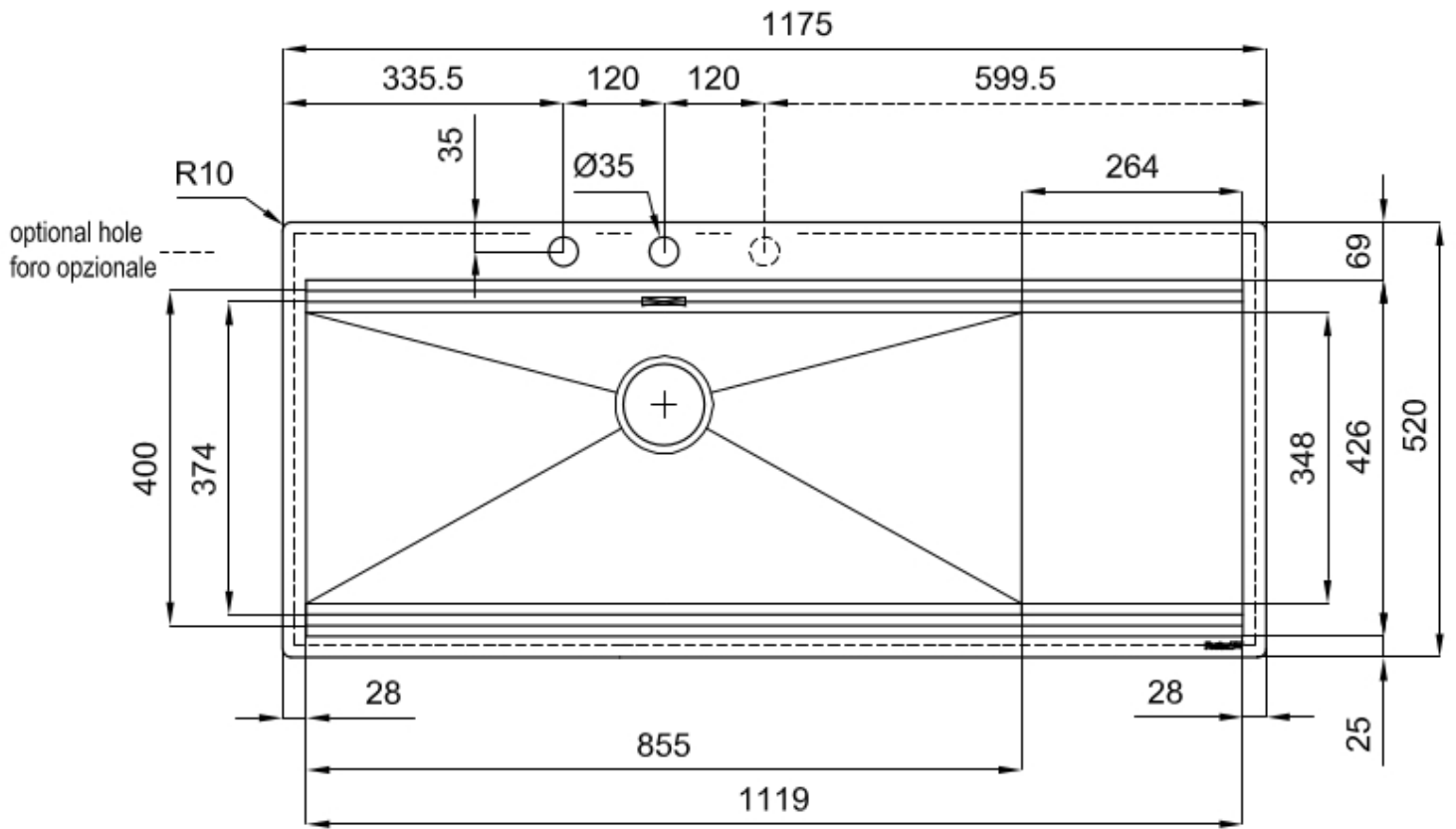
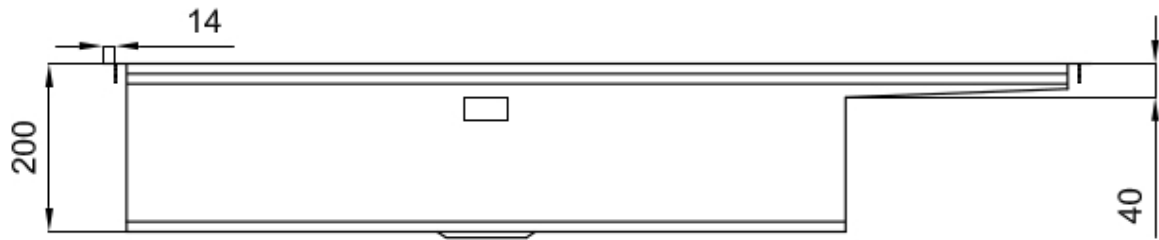
---

## Perimetral overflow

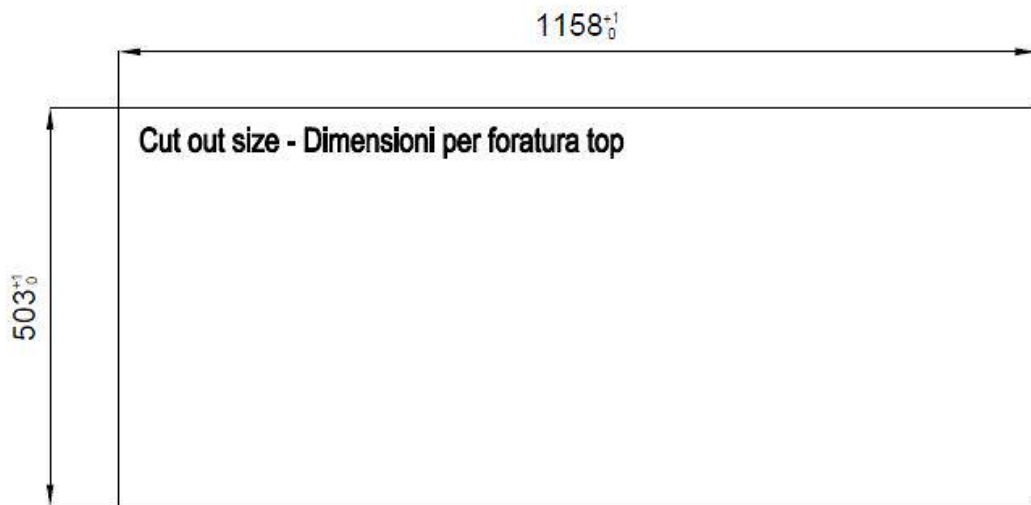
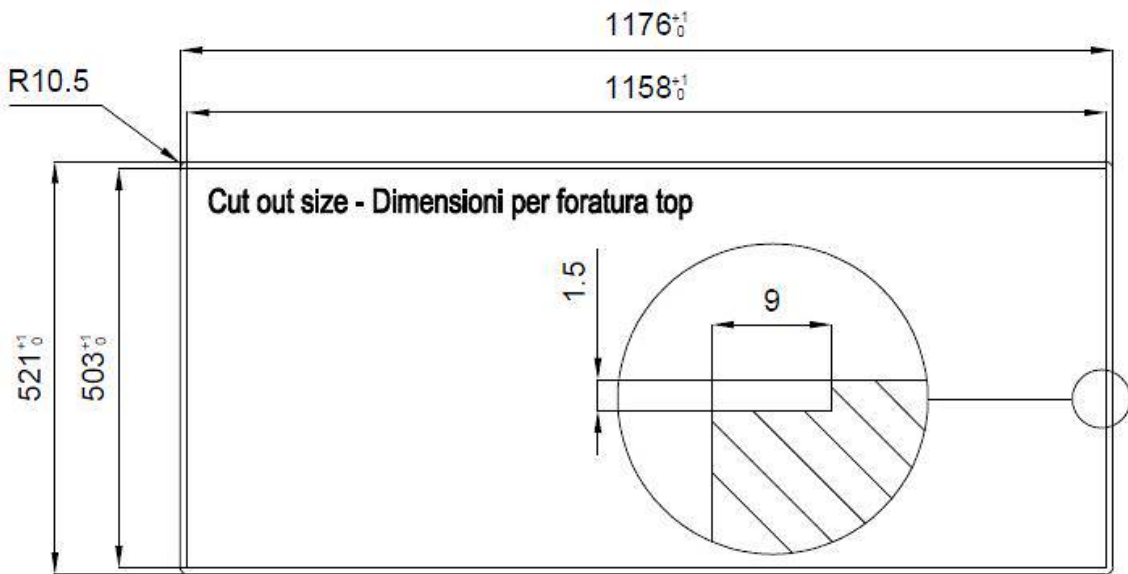
The overflow is always a security on the Foster sinks that prevents the overflow of water in case of oversights. The perimeter drain solution improves aesthetics thanks to its square and essential shape.

---

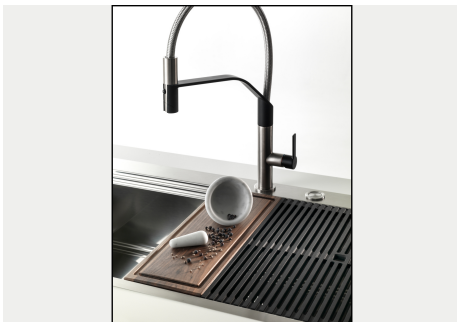
## TECHNICAL DATA



## Lavello MILANELLO cod. 1043/05\*



### GALLERY



## EQUIPMENT



**GRILLE NOIRE POUR EVIERS RIVA**  
A100 E02



**VIDAGE FADE PUSH INOX**  
A407 A16

## OPTIONAL ACCESSORIES



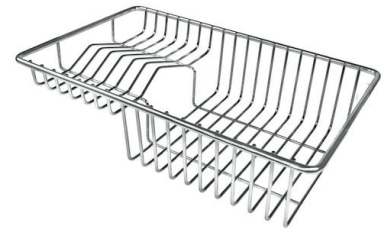
**CUVETTE PERFOREE INOX**  
A154 F00

\* only in combination with the accessory  
A644 F04



**CUVETTE PERFOREE POUR EVIERS  
RIVA**

A156 F00



**GRILLE POR.ASSIETTES INOX**  
mm214x379

A100 C03

\* only in combination with the accessory  
A644 A01



**GRILLE PORTE-ASSIETTES INOX**  
25x35

A100 A54

\* only in combination with the accessory  
A644 F04



**PLANCHE DE DECOUPE BOIS POUR  
EVIERS RIVA**

A642 F03



**PLANCHE DE DECOUPE DOUBLE  
HDPE**

A644 A01



**PLANCHE DE DECOUPE DOUBLE  
IROKO**  
A644 F04



**PLANCHE DE DECOUPE HDPE  
27x42 CM**  
A657 F01



**CUVETTE INOX PERFOREE**  
A151 F00  
\* only in combination with the accessory  
A644 A01



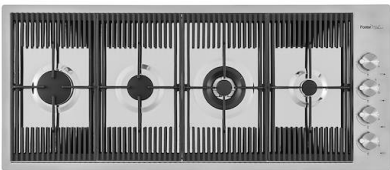
**KIT RÂPES ET PLANCHE DE  
DECOUPE HDPE**  
A159 A01

\* only in combination with the accessory  
A644 A01



**PLANCHE DE DECOUPE CRYSTAL  
23x41 CM**  
A631 C00

## RECOMMENDED PAIRINGS



**MILANO 4 BRULEURS**  
G681 F00



**POLO**  
R525 A00